

## Nobur® JA Recessing Head

**For deep bore recessing and grooving.**

**A tool for use on:**

- Drill presses
- Jig boring machines
- Milling machines
- CNC machines
- Tool or turret lathes
- Horizontal boring machines
- Special purpose machines



### **Features:**

- In-bore pilot supports cutter along its entire length – eliminates tool deflection; ensures concentricity through rigid cutting action
- Micrometer-stop adjustment
- Multiple grooves, chamfers, or metering lands
- O-ring and retaining ring grooves
- Relief grooves and tube sheet grooves
- Back-chamfering and facing of deep bores

## Nobur® JA2000 Recessing Head

### For deep bore recessing and grooving.

Designed for heavier cuts than the regular **JA**.

Innovative internal coolant system directs coolant to cutting edges for improved chip evacuation, longer tool life, better tool function, and improved repeatability.

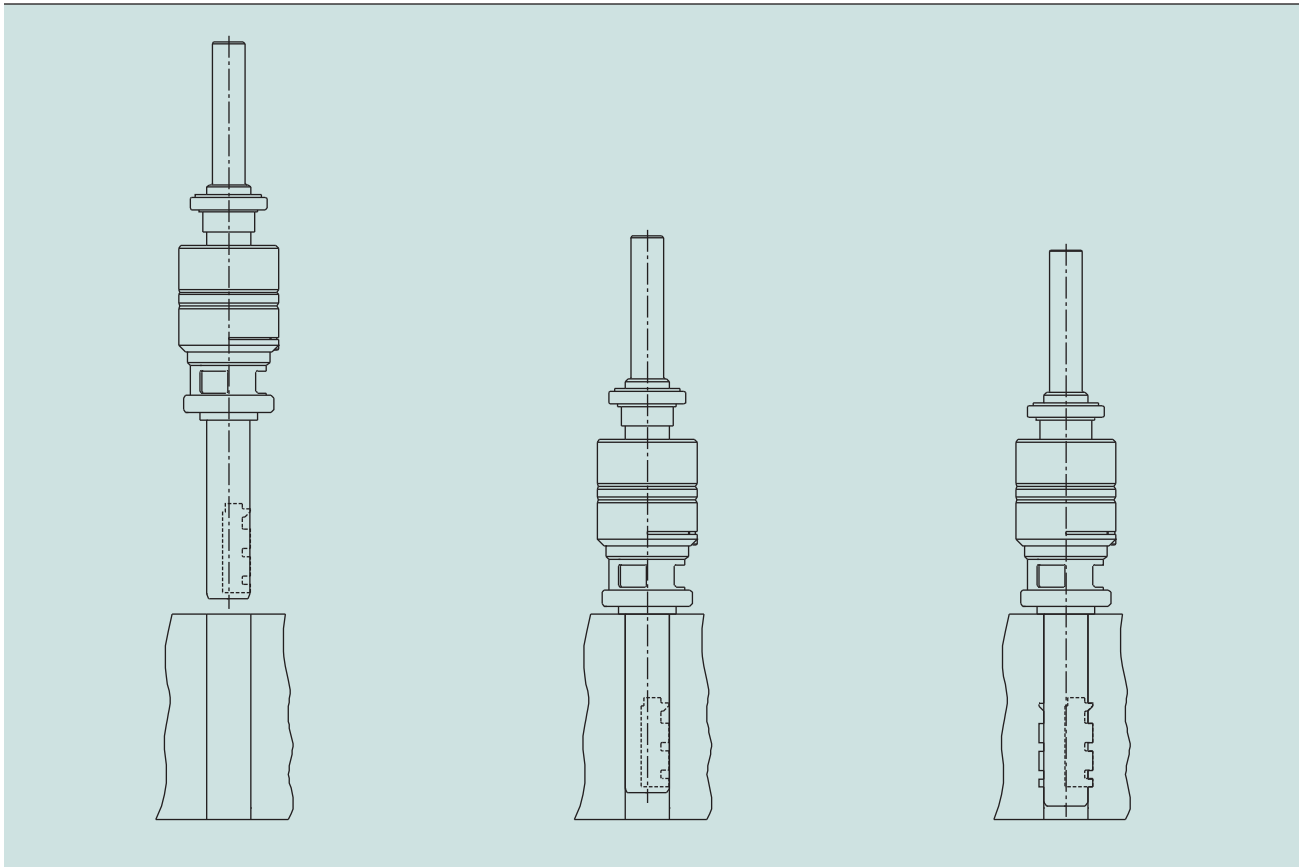
For use on machines with internal coolant capability. \*



### Features:

- Same in-bore pilot support and micrometer-stop adjustment as the regular **JA**
- Capable of wider cuts than the regular **JA** in some applications
- Extremely durable high-load precision dual bearings for long life
- Easy disassembly and reassembly for maintenance
- Overtravel units available upon request

\* **JA2000** Recessing Heads can be ordered in a Side-Port model for use on machines that do not have through-spindle coolant capability. Through-shank coolant is standard; specify side-port coolant if desired.



## 1 Approach Stroke

The **Nobur® JA** tool is rotating in a machine spindle. The spindle is lowered. The tool approaches entry into the bore.

## 2 Feed Stroke

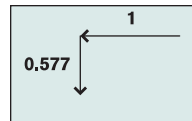
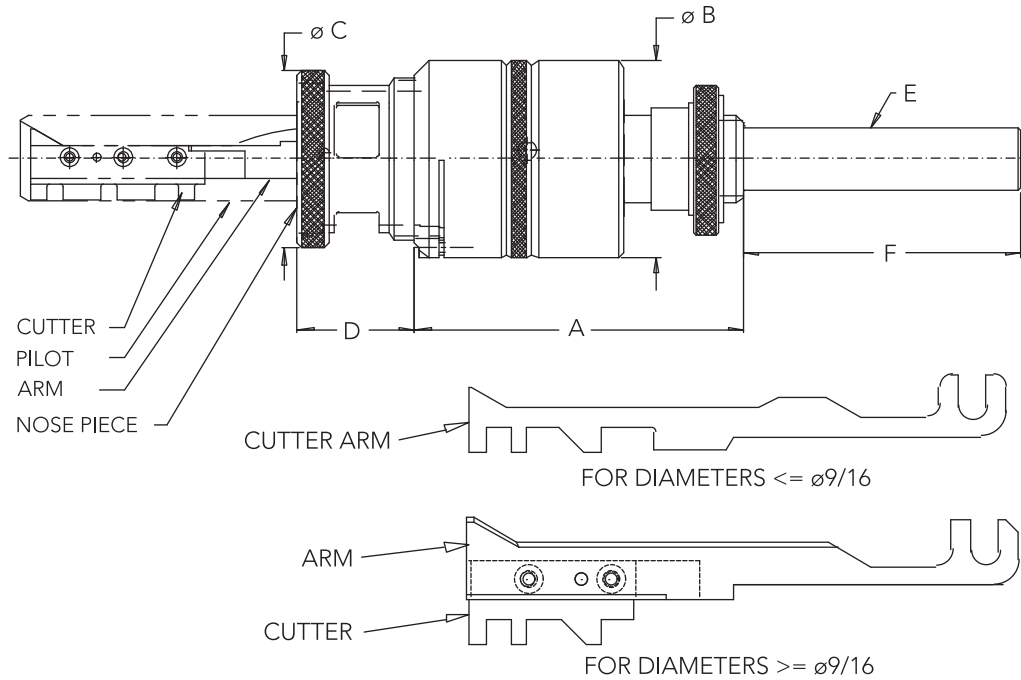
The pilot is located in the bore, stopping against the face of the workpiece. Downward travel of the machine spindle compresses the tool so that the cutter feeds out radially into the surface of the workpiece. The pilot rigidly supports the cutter along its entire length to eliminate deflection and ensure concentricity.

## 3 End of Feed Stroke

Radial depth of cut is obtained when the micrometer-stop nut bottoms out. Groove location is controlled by the adjusting stop-collar, which moves the nosepiece up or down to position the cutter arm for accurate groove location.

# Specifications

## Nobur® JA Series AUTOMATIC RECESSING DEEP HOLE



The **Feed Ratio** is the ratio of spindle to radial cutter movement

HEAD TYPE	CAPACITY <sup>1</sup>		(A) FREE		(B)		(C)		(D) MAXIMUM		(D) MINIMUM		(E) SHANKS <sup>2</sup>	(F)	
	in	mm	in	mm	in	mm	in	mm	in	mm	in	mm		in	mm
<b>JA</b>	0.25	6.300	3.82	97.00	2.28	57.90	2.06	52.30	2.24	56.90	1.24	31.50	3/4" straight <sup>3</sup>	3.25	82.60
	1.85	47.10											1"-12 acme	3.63	92.20
													1-1/16"-12 acme	3.19	81.00
													#2 morse taper	3.88	98.60
<b>JA2000</b>	0.25	6.300	4.43	112.5	3.36	85.40	3.00	76.20	1.53	38.90	1.03	26.20	1" straight <sup>4</sup>	3.00	76.20
	1.85	47.10													

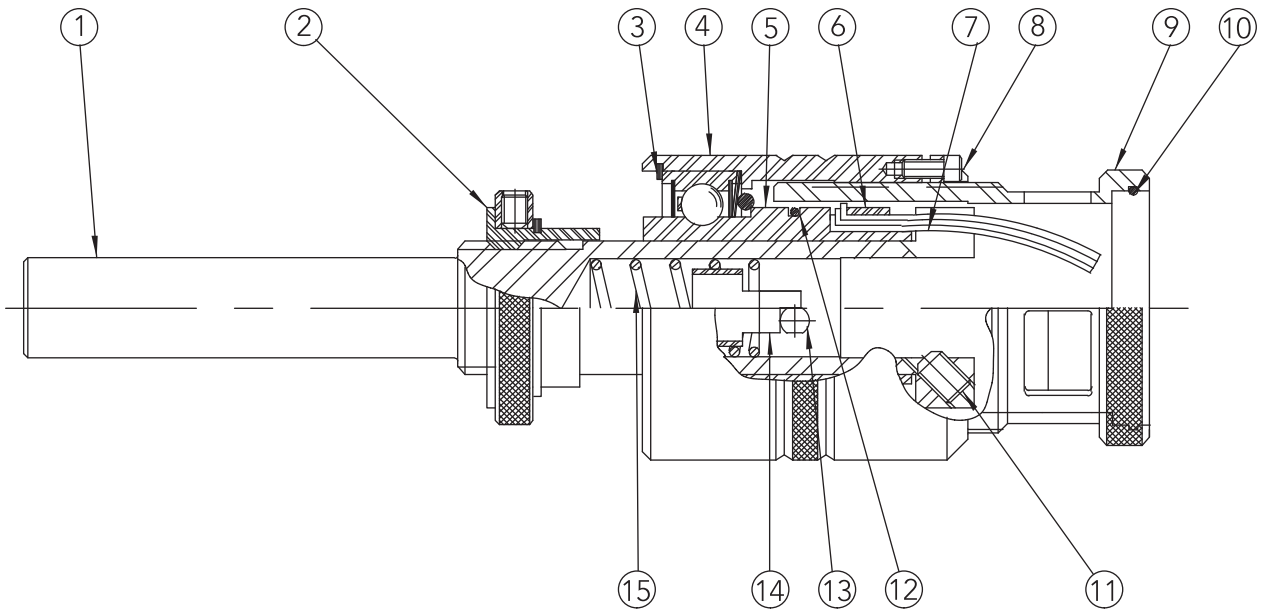
**1** Capacity means the suggested maximum groove diameter. Dependent upon cutting forces and bore diameter. Stated capacity is for steel.

**2** Shank is included with head. Shanks other than shown can be supplied upon request.

**3** Supplied with through-tool coolant.

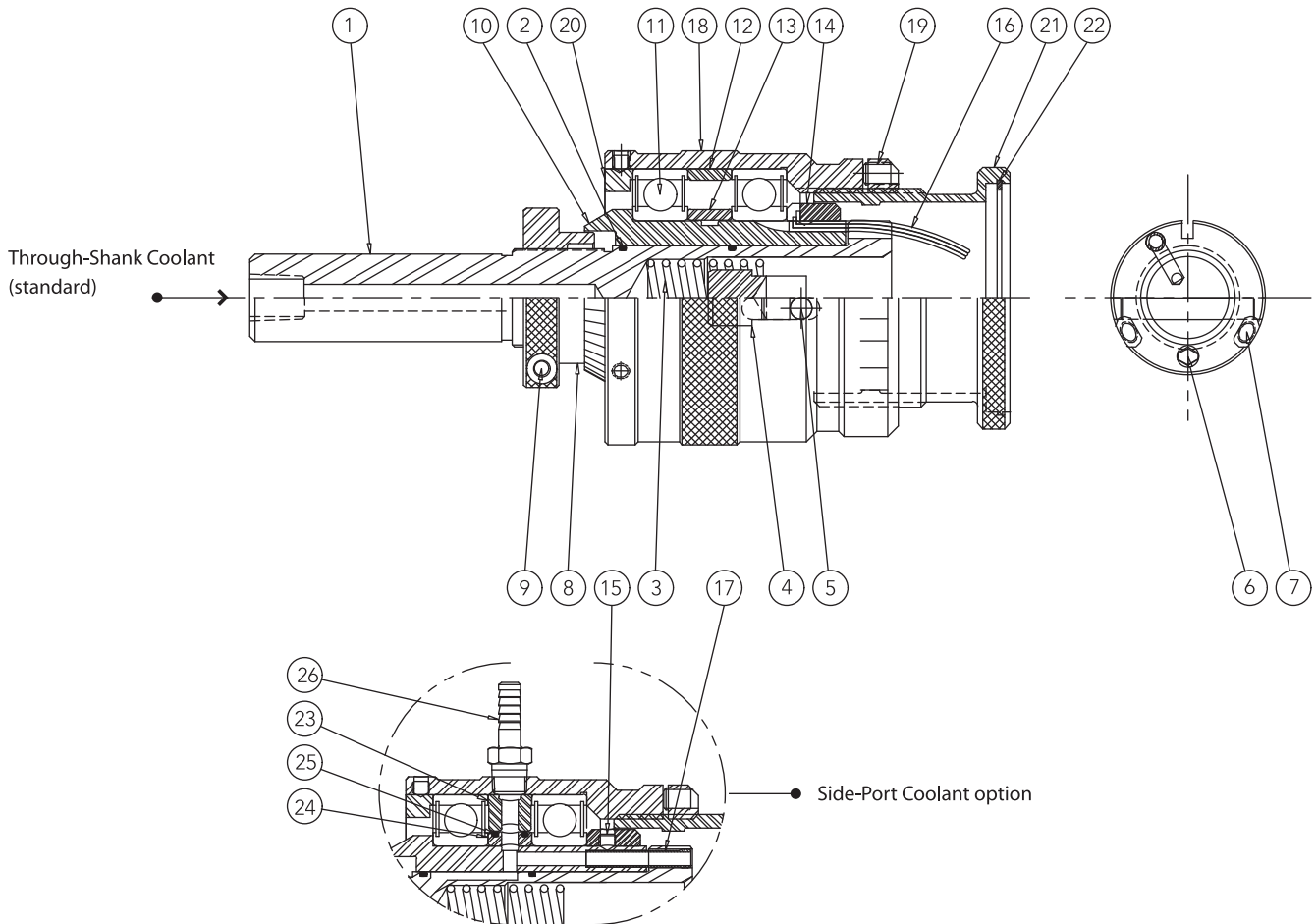
**4** Through-shank coolant is standard; specify side-port coolant if desired.

## Nobur<sup>®</sup> JA Recessing Head



<b>1</b> Body Holder	<b>5</b> Bearing Assembly	<b>9</b> Stop Collar-Adjustment	<b>13</b> Pin
<b>2</b> Adjustment Nut Assembly	<b>6</b> Collar Hub Mounting	<b>10</b> Retainer Ring-Insert	<b>14</b> Spacer/Bushing/Spring
<b>3</b> Snap Ring	<b>7</b> Leaf Spring (Quantity 3)	<b>11</b> Lock Screw	<b>15</b> Compression Spring Return
<b>4</b> Housing-Bearing Stop Collar	<b>8</b> Screw Locking-Housing	<b>12</b> Retainer Loop	

### Nobur<sup>®</sup> JA2000 Recessing Head



**NOTE:** Coolant location can be changed in the field; consult Sales Department.

1 Spindle	8 Stop Nut	15 Cone Point Screw	22 Retaining Ring
2 O-Ring	9 Socket Head Cap Screw	16 Leaf Spring	Details 23 thru 27 optional
3 Compression Spring	10 Bearing Sleeve	17 Coolant Tube	23 Outer Bearing Spacer
4 Spacer Bushing	11 Ball Bearing	18 Housing	24 Inner Bearing Spacer
5 Pin	12 Outer Bearing Spacer	19 Flat Point Set Screw	25 O-Ring
6 Drive Pin	13 Inner Bearing Spacer	20 Bearing Retainer	26 Coolant Nipple
7 Flat Point Set Screw	14 Bearing Collar	21 Stop Collar	27 Pipe Plug (not shown)

Cogsdill **Nobur<sup>®</sup> JA** tools are easily set. Since the precision feed motion is built into the head, only two adjustments are required in order to properly set up a tool for operation. Occasionally, compensating adjustments might be required if there is an error in the initial settings, or to compensate for cutter wear. However, by following the steps prescribed below, it will be easy to attain the initial set-up.

### 1 Set front stop collar

This setting determines the position of the groove(s) relative to the face of the part, or other surface from which the tool actuates. Simply adjust the threaded stop collar, measuring from the face of the collar to the top corner of the cutter until the correct distance is established (refer to photo **A**). Once set, the locking screw on the outer tool body should be tightened.

### 2 Set the groove diameter to be cut

On manually fed machines, this setting is established by adjusting the threaded diameter stop nut at the rear of the tool body. Because the cutter motion is radial, the groove cut diameter can be measured by using a micrometer to measure directly across the pilot and cutting edge when the head is compressed (refer to photo **B**). Since the pilot is .002 in. (0.05mm) under the smallest bore diameter, the cutter should project from the pilot for a distance equal to the required depth of cut. An alternative setting method is to measure the projection of the cutter using a surface plate indicator relative to the centerline of the bore.

Setting the groove diameter for machines with power feed requires that the diameter stop nut be backed away (toward the rear of the tool) so that it becomes non-operative. Tools with Acme-threaded shanks do not have the diameter stop nut. The automatic feed on the machine is then set to produce the cutter projection required to cut the desired groove diameter. Preset holders and gauges may also be used to establish the spindle travel limits.



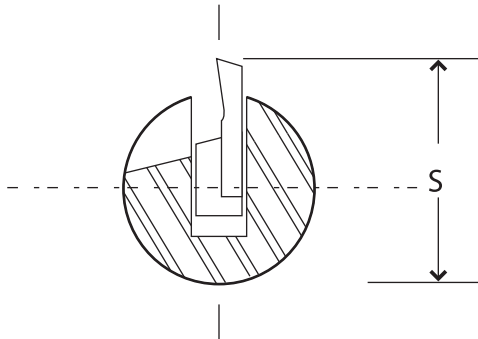
Since cutter deflection is eliminated due to the support of the cutter by the arm and pilot, no compensation is required. Once the above settings are verified, the tool is ready to use. However, please remember that variations in bore diameter can cause groove dimensions to vary. A variation of .001 in. (0.02mm) in bore diameter can result in a .002 in. (0.05mm) variation in groove diameter. Therefore, bore tolerances must be limited to less than 1/2 of the tolerance required for the groove diameter. If this tolerance requirement presents a problem, it might be necessary to pilot the tool in a fixture instead of piloting in the bore. The diagram on page 37 shows how to measure a tool to cut a specific diameter.



(continued)

## Diameter Setting Methods

### BY MICROMETER

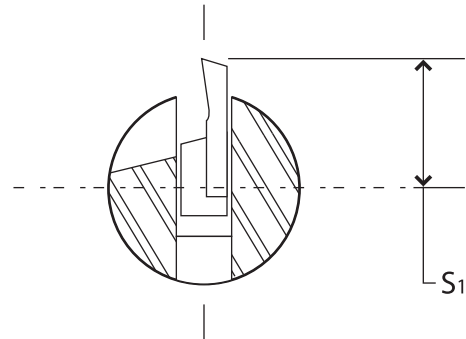


$$S = \frac{\text{Groove Dia.} + \text{Bore Dia.}}{2}$$

**OR**

$$S = \frac{\text{Groove Dia.} + \text{Pilot Dia.}}{2} + .002$$

### BY INDICATOR



$$S_1 = \frac{\text{Groove Dia.}}{2} + .002$$

In order to measure for a specific groove cut diameter, the tool must be actuated to the limit setting by compressing the actuating assembly against the diameter stop nut. The nominal clearance between the pilot diameter and the minimum bore diameter is .002" (.05mm).

### Tool Operation

Cogsdill **Nobur® JA** Recessing tools operate automatically as axial spindle travel is converted into radial cutter travel within the head. The pilot enters the bore and the stop collar contacts the front of the part. Continued spindle travel results in corresponding cutter travel which is rigidly supported within the part for extreme accuracy. A sealed bearing between the tool body and the stop collar prevents marking of the workpiece.

Radial cutter advancement is approximately 1/2 of spindle travel. Depth of cut is precisely controlled by an adjustable diameter stop nut located on the back end of the tool. A feed rate of .003–.005 IPR (0.08–0.13mm) is generally used.

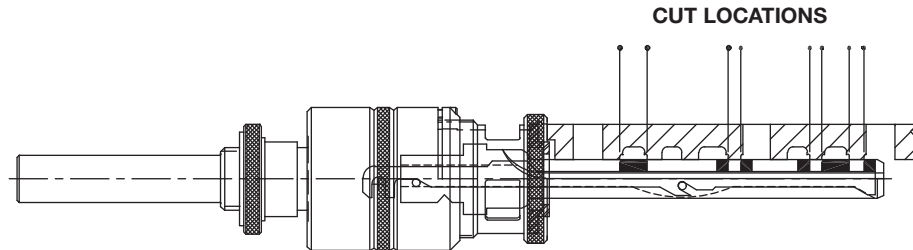
Upon completion of the cut, tool withdrawal feed should be at the cutting feed rate until the stop collar no longer contacts the part. This will ensure that the cutter has fully retracted into the pilot before the tool is withdrawn from the part.

### Tool Lubrication

In applications where water soluble or synthetic coolants are used, we recommend that, when the machine and tool are idle, the tool be removed from the spindle and immersed in oil to keep it lubricated and to prevent rusting of the internal mechanism.

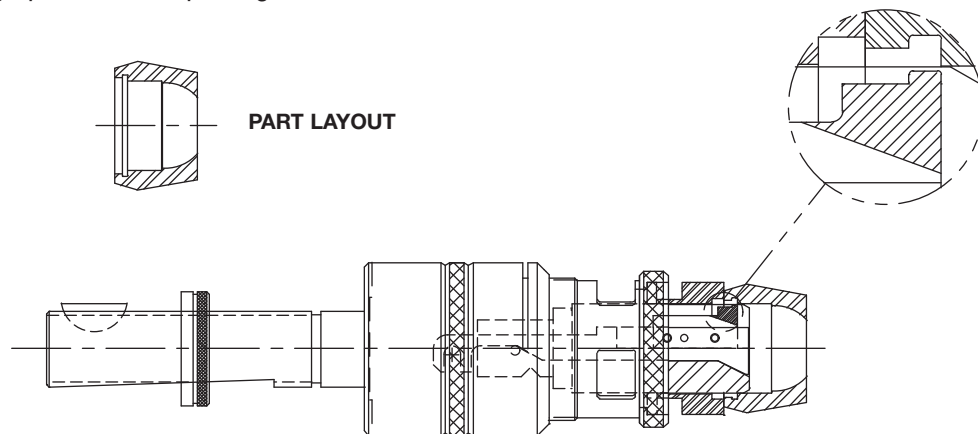
### Nobur<sup>®</sup> JA Recessing Head

machining eight metering lands in one pass



### Nobur<sup>®</sup> JA Recessing Head

performing grooving operation with piloting area in advance of cut



### Nobur<sup>®</sup> JA Recessing Head

back-cutting five locations

